



Cooling Tower Dosing

100/101 Dosing Controller

Technical Data sheet
Timer Controllers



Version shown is T101 with optional peristaltic pump

KEY FEATURES

- Input Pulse or Internal Timer Control
- May be connected to a contacting head water meter for proportional dosing
- Proportional Dosing (100 version).
- Proportional Bleed and Dosing (101 version)
- 2 Versions
 - Model 100 – Proportional / timed dosing
 - Model 101 – Proportional / timed bleed and dose
- Or can be configured for regular timed dosing
- (Optional) Can be supplied complete with mounted peristaltic pump

Overview

Their main uses are as follows

Type 100 Timer/Controller

- Chemical dosing in proportion to flow through a water meter
- Boiler blow down in proportion to boiler output
- Chemical dosing at regular timed intervals
- Boiler blow down at regular timed intervals

Type 101 Timer/Timer Controller

- Bleeding and dosing of cooling towers in proportion to water makeup
- Bleeding and dosing of cooling towers at regular timed intervals

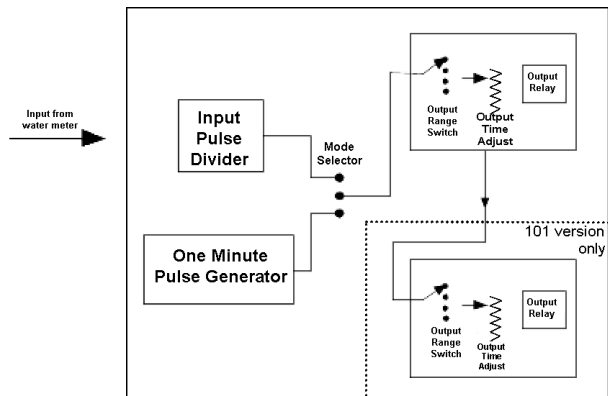
Operation

Incoming pulses from a contacting head water meter are first fed into a pulse divider. The effect of this divider is to simulate a meter having a variable K factor. If the meter generates one pulse per litre (K=1), the circuit can simulate the effect of one pulse per 2 litres, 3 litres, 4 litres..... all the way up to 255 litres.

When the required volume has passed through the meter, a timed output is generated at output (A) which can be used to drive a pump or solenoid valve. This output time is continuously adjustable from 0.5 seconds to 5 minutes, in four ranges.

The 101 version has an additional output stage which is identical to output (A) and operates when output (A) has completed it's cycle i.e. output (B) follows (A).

The 'Mode Selector' jumper substitutes a 'one minute pulse' for the meter pulses. In this way, an output can be generated regularly at intervals of one to 255 minutes(4.25 Hours). This is adjustable in one minute increments.



AQUA WATER SYSTEMS LTD
 Units 3-6 Hodfar Road • Sandy lane Ind Est
 Stourport on Severn • Worcestershire DY11 5UJ
 Tel 01299 827703 • Fax 01299 827704
 Email sales@askaqua.co.uk Web www.askaqua.co.uk

Technical Data Sheet
T101/T100