

TECHNICAL DETAIL

Flow rate l/h	Pressure bar	Dosing Head Material - Connections	Volume ml/stroke
1	8	PP 3/8" 4X6	0,16
2	7	PP 3/8" 4X6	0,32
2	12	PP 3/8" 4X6	0,32
4	5	PP 3/8" 4X6	0,64
5	8	PP 3/8" 4X6	0,79

TYPICAL OUTPUT

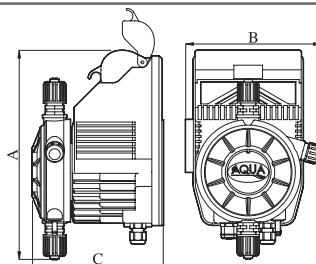
HC1 Pump Type	Flow at max pressure		Flow at average pressure		Flow at 1 bar		NOTE: All mentioned outputs refer to tests done having water temperature at 20°C with indicated counter pressure. Tolerance is calculated at +- 10% at a constant pressure of +- 0,5 bars.
	l/h	bar	l/h	bar	l/h	bar	
01-08	1	8	4,5	4	7,5	1	
02-07	2	7	5	3,5	8	1	
02-12	2	12	4	6	8	1	
04-05	4	5	6,5	2,5	9	1	
05-08	5	8	7	4	10	1	

LIQUID END MATERIALS HC1

HC1	Standard Version	Upon request
Pump head	PP	PVDF
Diaphragm	PTFE	-
Balls	GLASS PYREX	AISI 316; PTFE; CERAMIC
Connection fitting	PP	PVDF
Seals/O-rings	Viton®	Dutral®
Spring loaded injection valve	Hastelloy/Pirex	Hastelloy/ (PTFE; AISI 316; CERAMIC)
Injection fitting	PP	PVDF
Foot Strainer	PP	PVDF
Suction hose/Air Bleed hose	PVC	PVDF
Discharge hose	PE	PVDF

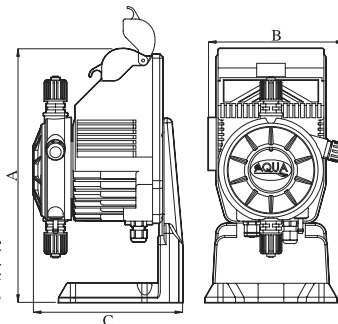
DIMENSIONS (mm)axbxc
w/out horizontal bracket

219 x 140 x 137



DIMENSIONS (mm)axbxc
with horizontal bracket

266 x 140 x 156,5



NON-STANDARD OPTIONS

Low Level Facility – HC 100
Power Supply 24vAC Model HC 100
Electric Plug
Power Supply 110vAC 50/60 Htz
Power Supply 12-24 Vdc Model HC 100
Power supply extractable connector

All our pumps are manufactured in compliance to EC regulations. Power Supply standard 230Vac 50/60Hz.

Note: For horizontal mounting version which requires a bracket, add Code: ADBAS100

Series HC1