

**TECHNICAL DETAIL**

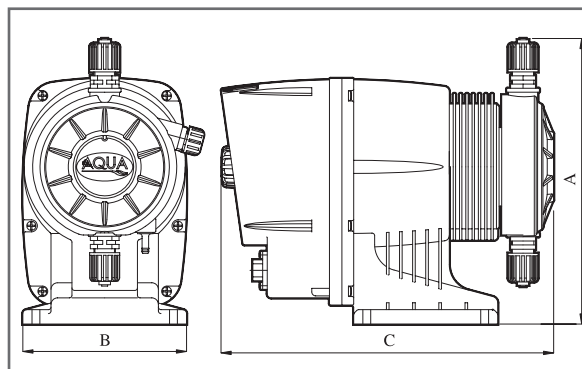
Flow rate l/h	Pressure bar	Dosing Head Material - Connections	Volume ml/stroke
2	18	PP 3/8" 4X6	0,27
4	18	PP 3/8" 4X6	0,55
9	9	PP 3/8" 4X6	1,25
15	3	PP 3/8" 4X6	2,08

**TYPICAL OUTPUT**

HC 2 Pump Type	Flow at max pressure		Flow at average pressure		Flow at 1 bar		NOTE: All mentioned outputs refer to tests done having water temperature at 20°C with indicated counter pressure. Tolerance is calculated at +- 10% at a constant pressure of +- 0,5 bars.
	l/h	bar	l/h	bar	l/h	bar	
02-18	2	18	4	9	9	1	
04-18	4	18	6,5	9	12	1	
09-09	9	9	12	4,5	15	1	
15-03	15	3	16	1,5	18	1	

**LIQUID END MATERIALS HC2**

HC 2	Standard Version	Upon request
Pump head	PP	PVDF, PVC self degassing head
Diaphragm	PTFE	-
Balls	GLASS PYREX	PTFE; CERAMIC
Connection fitting	PP	PVDF
Seals/O-rings	Viton®	Dutral®
Spring loaded injection valve	Hastelloy/Pirex	Hastelloy/ (PTFE; CERAMIC)
Injection fitting	PP	PVDF
Foot Strainer	PP	PVDF
Suction hose/Air Bleed hose	PVC	PVDF
Discharge hose	PE	PVDF



DIMENSIONS (mm) a x b x c: 218 x 125 x 254

**NON-STANDARD OPTIONS**

- Electric Plug
- Power Supply 110vAC 50/60 Htz, only for mod. HC200 and HC201
- Power Supply extractable connector

All our pumps are manufactured in compliance to EC regulations. Power Supply standard 230Vac 50/60Hz.

Note: For vertical mounting version which requires a bracket, Add Code: ADSTF200.

# Series HC2