

**TECHNICAL DETAIL**

Flow rate l/h	Pressure bar	Dosing Head Material - Connections	Volume ml/stroke
2	9	PP 3/8" 4X6	0,27
2	20	PVC 3/8" 4X6	0,27
5	9	PP 3/8" 4X6	0,69
10	4	PP 3/8" 4X6	1,38
10	8	PP 3/8" 4X6	1,38
15	5	PP 3/8" 4X6	2,08
18	4	PP 3/8" 4X6	2,50
30	2	PVC 1/2" 10X14	4,16
50	0,5	PVC 1/2" 10X14	6,94

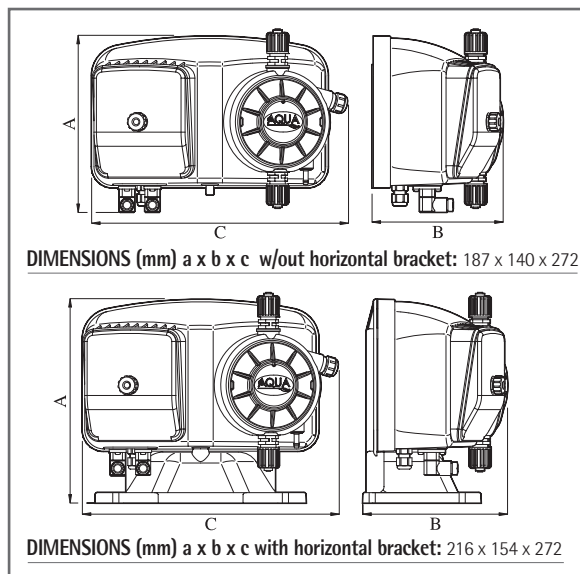
**TYPICAL OUTPUT**

HC 3 Pompa tipo	Flow at max pressure		Flow at average pressure		Flow at 1 bar	
	l/h	bar	l/h	bar	l/h	bar
02-09	2	9	4	4,5	9	1
02-20	2	20	3,5	10	8	1
05-09	5	9	8	4,5	12	1
10-04	10	4	13	2	17	1
10-08	10	8	12	4	15	1
15-05	15	5	18	2,5	22	1
18-04	18	4	22	2	24	1
30-02	30	2	35	1	38	0,5
50-0,5	50	0,5	55	0	-	-

NOTE: All mentioned outputs refer to tests done having water temperature at 20°C with indicated counter pressure. Tolerance is calculated at +- 10% at a constant pressure of +- 0,5 bars.

**LIQUID END MATERIALS HC3**

HC 3	Standard Version	Upon request
Pump head	PP/PVC	Up to 18 L/H - PVDF; up to 10 L/H - PVC self degassing head
Diaphragm	PTFE	-
Balls	GLASS PYREX	PTFE; CERAMIC
Connection fitting	PP	PVDF
Seals/O-rings	Viton®	Dutral®
Spring loaded injection valve	Hastelloy/Pirex	Hastelloy/ (PTFE; AISI 316; CERAMIC)
Injection fitting	PP	PVDF
Foot Strainer	PP	PVDF
Suction hose/Air Bleed hose	PVC	PVDF
Discharge hose	PE	PVDF



All our pumps are manufactured in compliance to EC regulations. Power Supply standard 230vAC 50/60Hz

Note: For horizontal mounting version which requires a bracket, Add Code: ADBAS300.

**NON-STANDARD OPTIONS**

- Electric Plug
- Power Supply 110vAC 50/60 Htz, only for mod. NC300 and HC301
- Power Supply extractable connector

# Series HC3